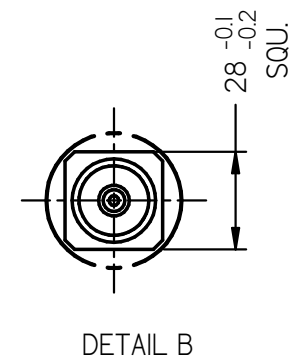
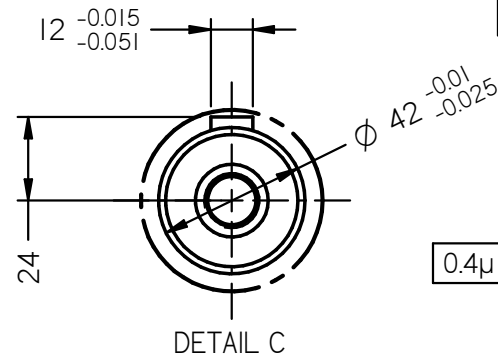
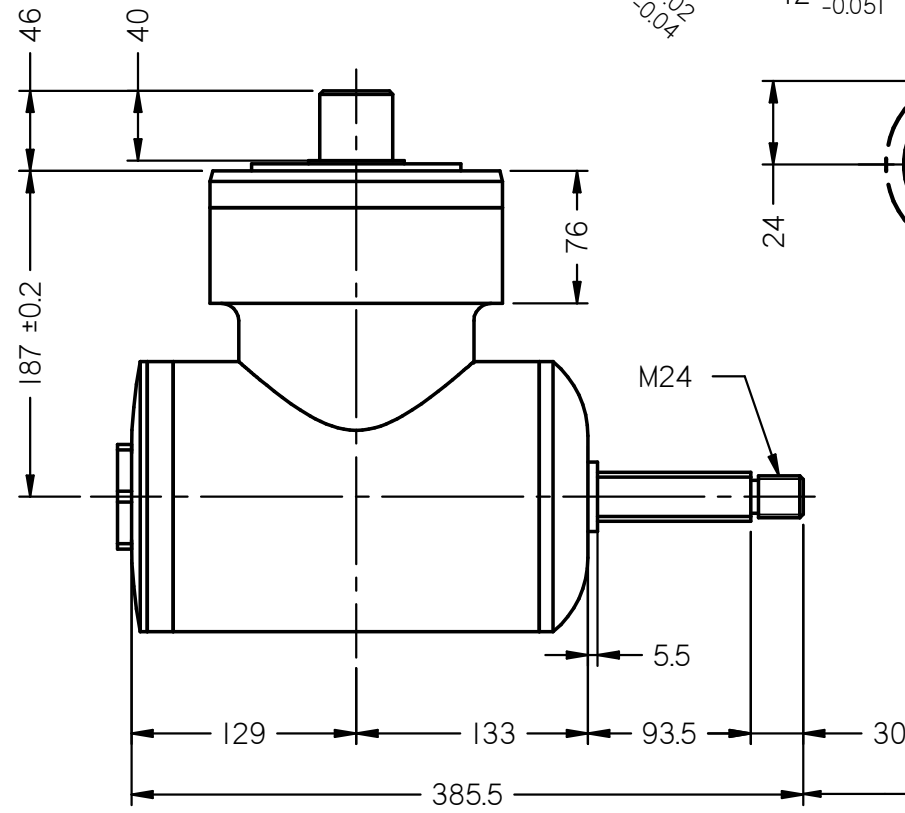


TORQUE RATING OF GEARBOXES			
DRG. NO.	TORQUE AT 1000 RPM	TORQUE AT 1400 RPM	TORQUE AT 2800 RPM
TECHNO-3017	175	125	75

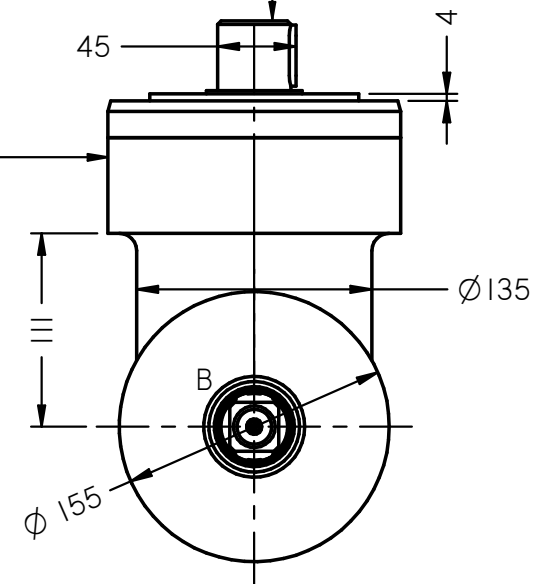
UNITS: TORQUE-NM, WEIGHT-KG, DIMENSIONS-MM

APPROX. WT. 35 KG



CW ROTATION  
LOOKING FROM THIS SIDE

0.4µ



CCW ROTATION

TECHNO-CRAFT ENGINEERS  
B-19, MIDC FLATTED FACTORY, L.B.S. ROAD, THANE-400 604.

SIZE A4	G.A. DRAWING	REV 16.02.18
TECHNO-CRAFT BEVEL GEARBOX - 1017		
SCALE: NTS	WEIGHT:	SHEET 2 OF 2